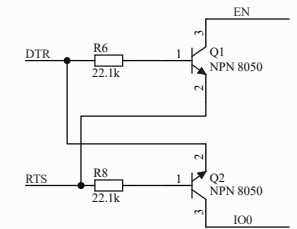
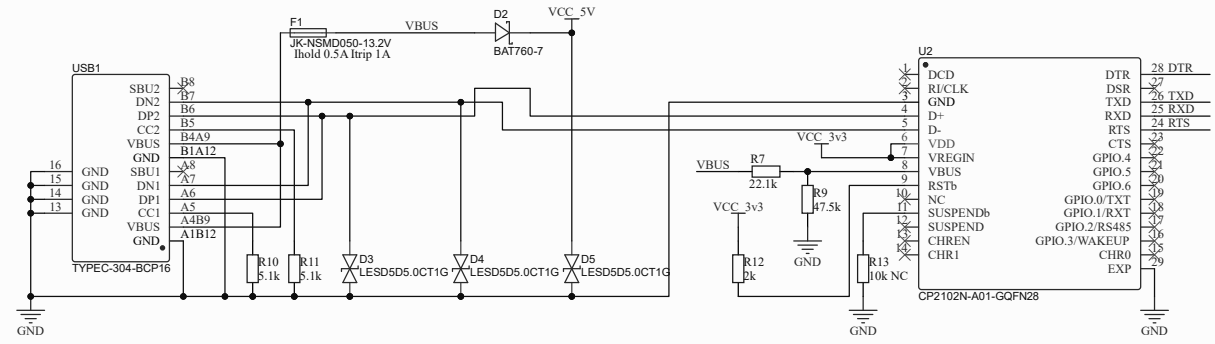


When the Buttons are not required. The circuit related to IO0 could be removed but 10k and 1uF of EN circuit have to be remained on the board. 470 could be changed to 0 Ohm.  
 More Info: Onenote - ESP8266/ESP32自动下载电路原理分析



Auto program

DTR	RTS	EN	IO0
1	1	1	1
0	0	1	1
1	0	0	1
0	1	1	0