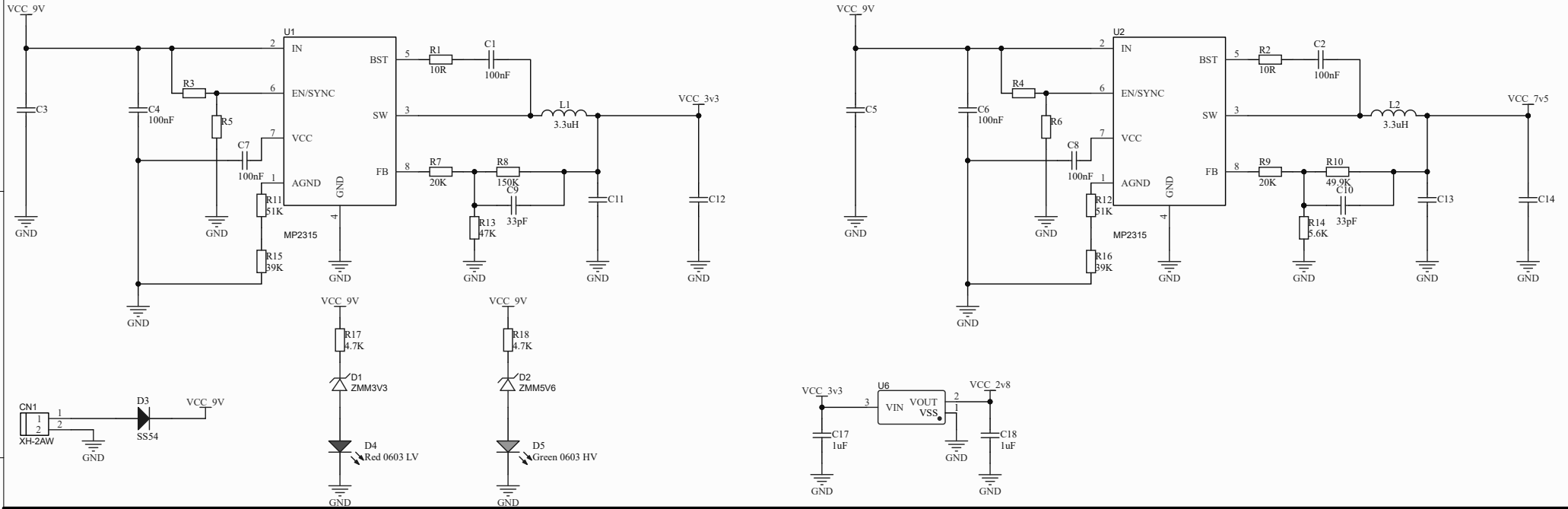
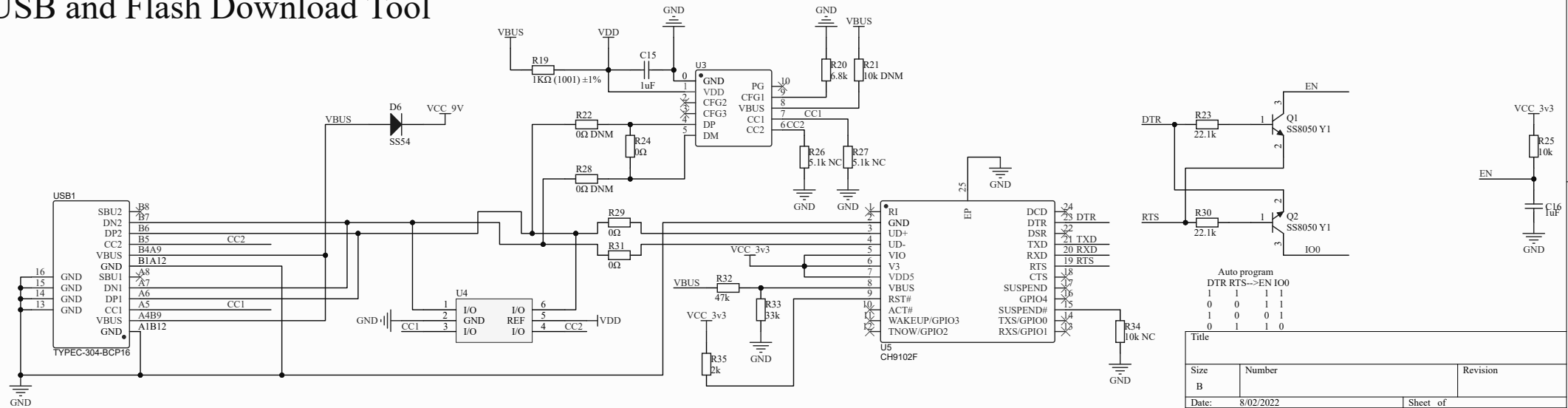


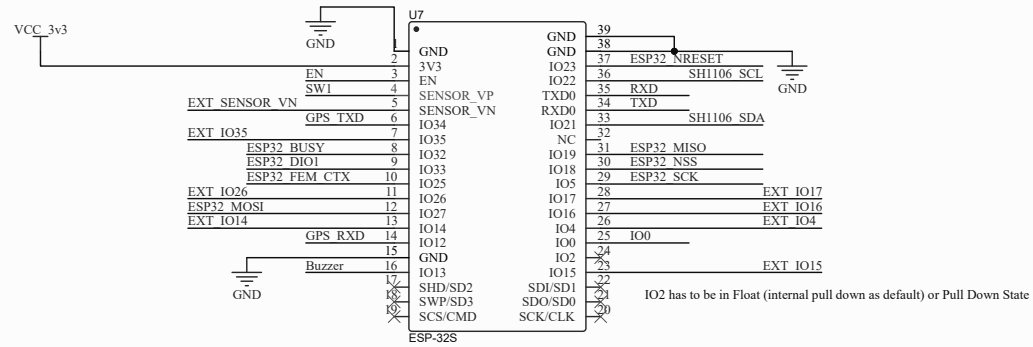
DCDC



USB and Flash Download Tool

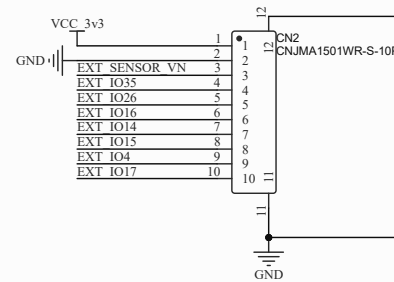
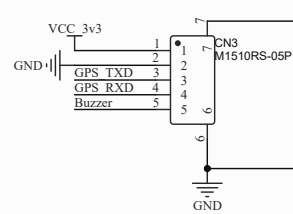
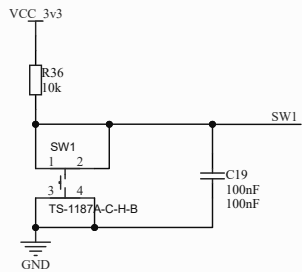


Title		
Size	Number	Revision
B		
Date:	8/02/2022	Sheet of
File:	E:\OneDrive\Power.SchDoc	Drawn By:

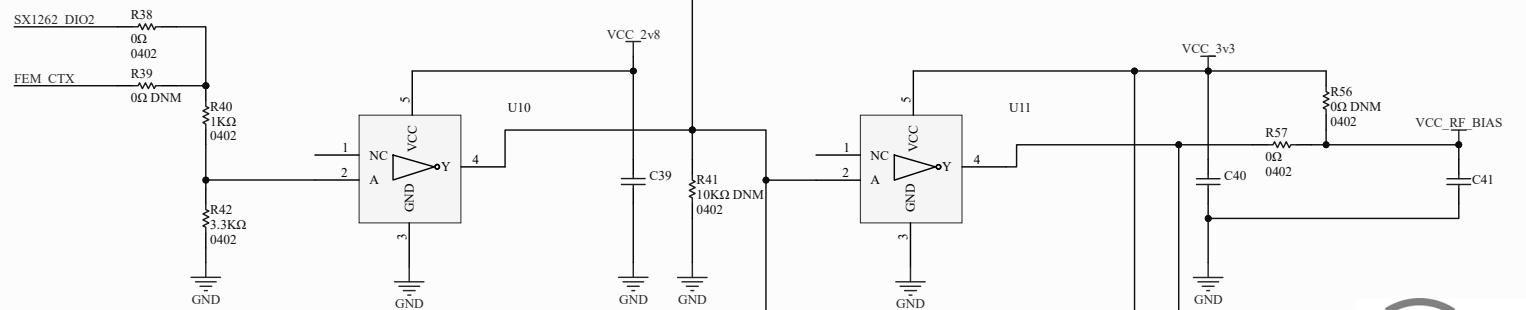
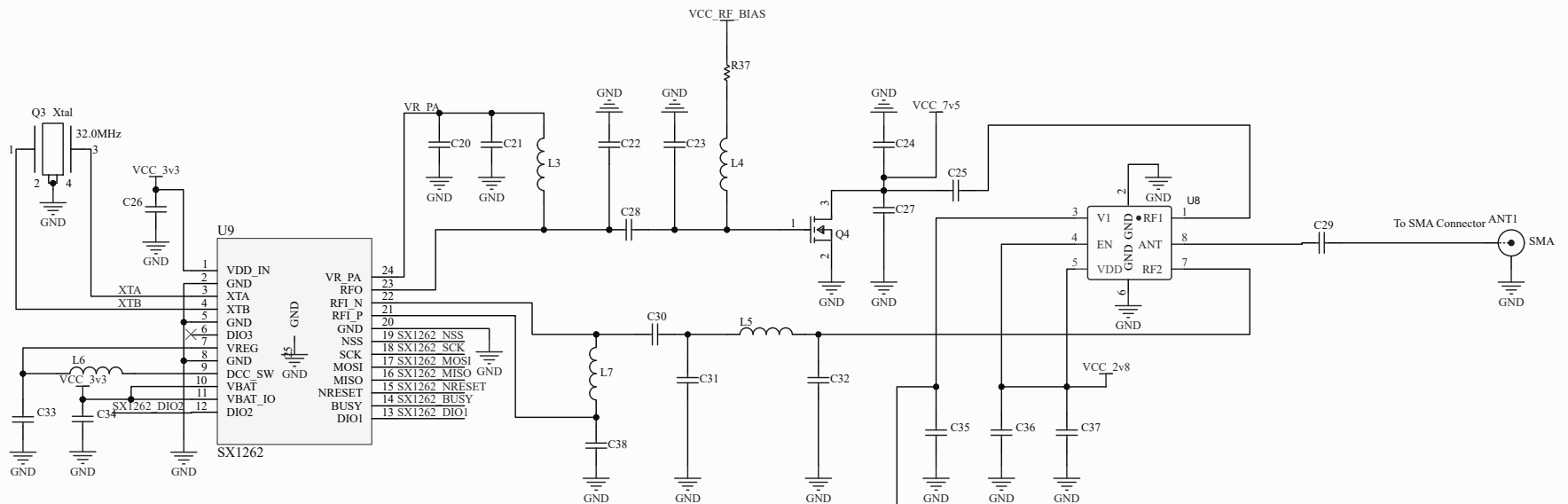


User Button

Sockets for Extension Modules



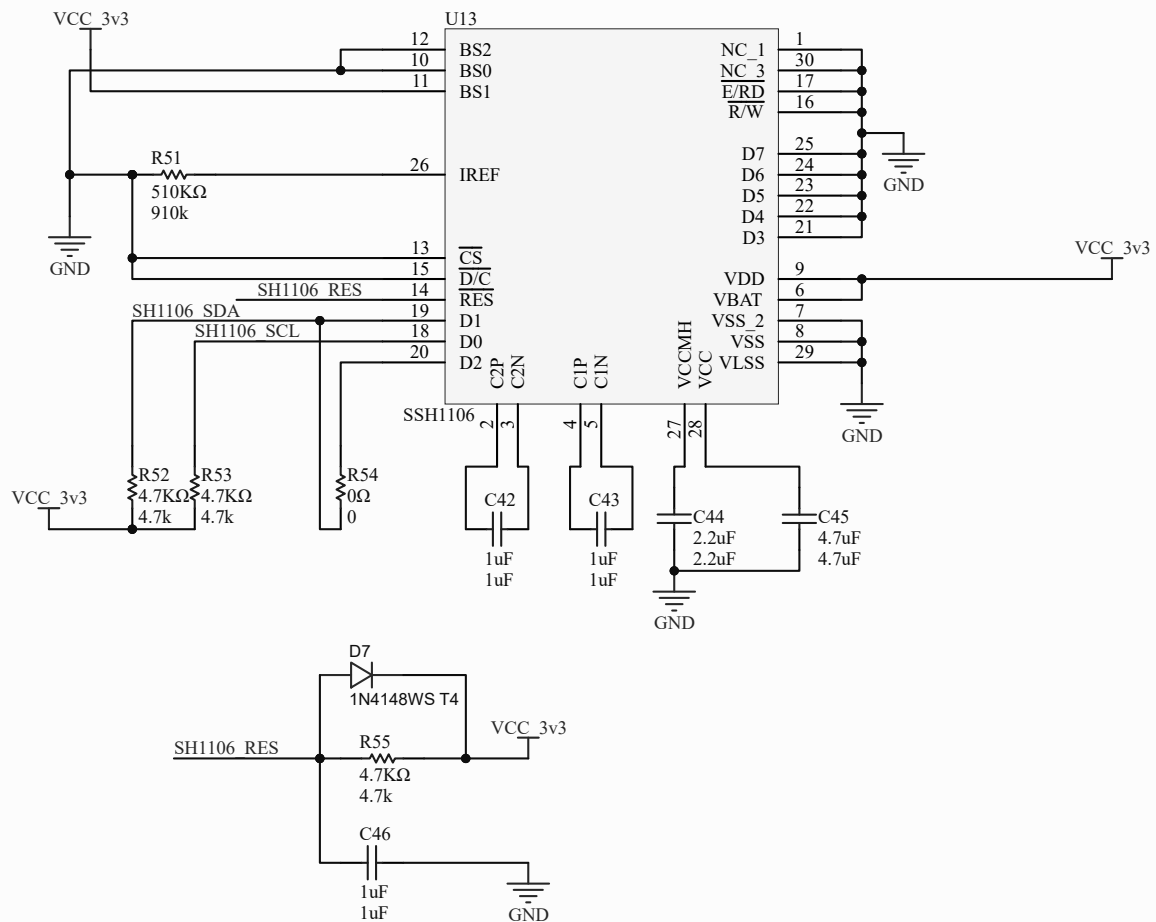
Title		
Size B	Number	Revision
Date: 8/02/2022	Sheet of	
File: E:\OneDrive\ESP32.SchDoc	Drawn By:	



SX1262 DIO1	R43	ESP32 DIO1
100R		
SX1262 BUSY	R44	ESP32 BUSY
100R		
SX1262 NSS	R45	ESP32 NSS
100R		
SX1262 NRESET	R46	ESP32 NRESET
100R		
SX1262 SCK	R47	ESP32 SCK
100R		
SX1262 MISO	R48	ESP32 MISO
100R		
SX1262 MOSI	R49	ESP32 MOSI
100R		
FEM CTX	R50	ESP32 FEM_CTX
100R		



Title		
Size	Number	Revision
B		
Date:	8/02/2022	Sheet of
File:	E:\OneDrive\...\SX1262.SchDoc	Drawn By:



Title		
Size	Number	Revision
A		
Date:	8/02/2022	Sheet of
File:	E:\OneDrive\...\OLED.SchDoc	Drawn By: