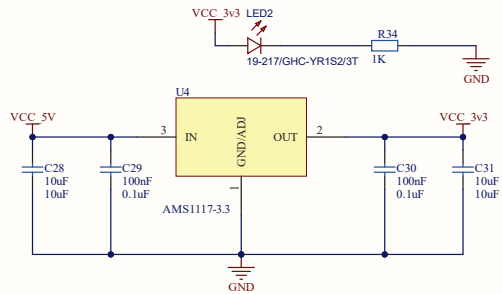
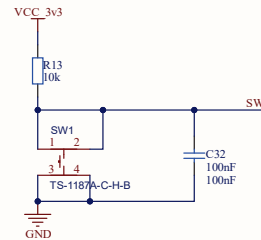


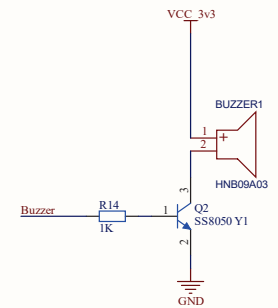
Power



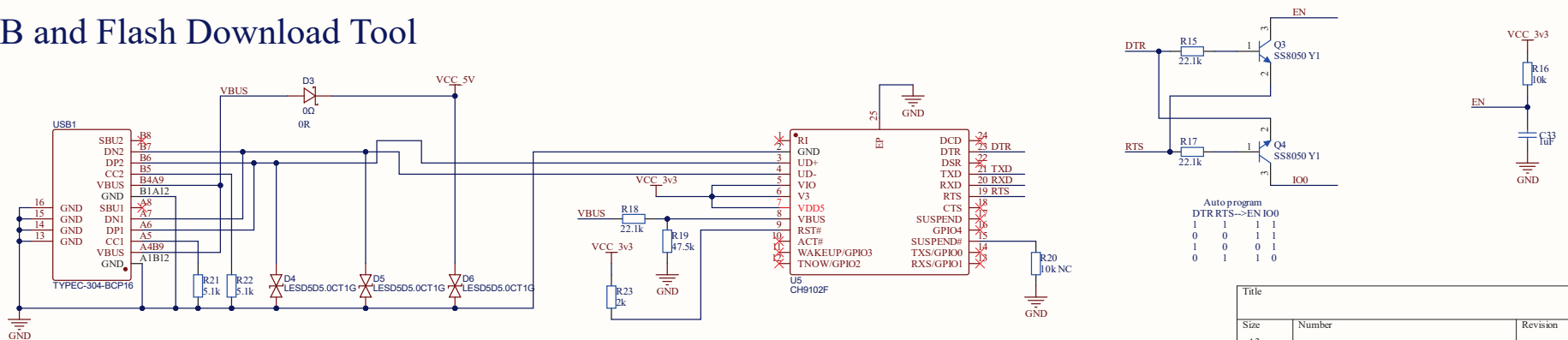
User Button



Buzzer



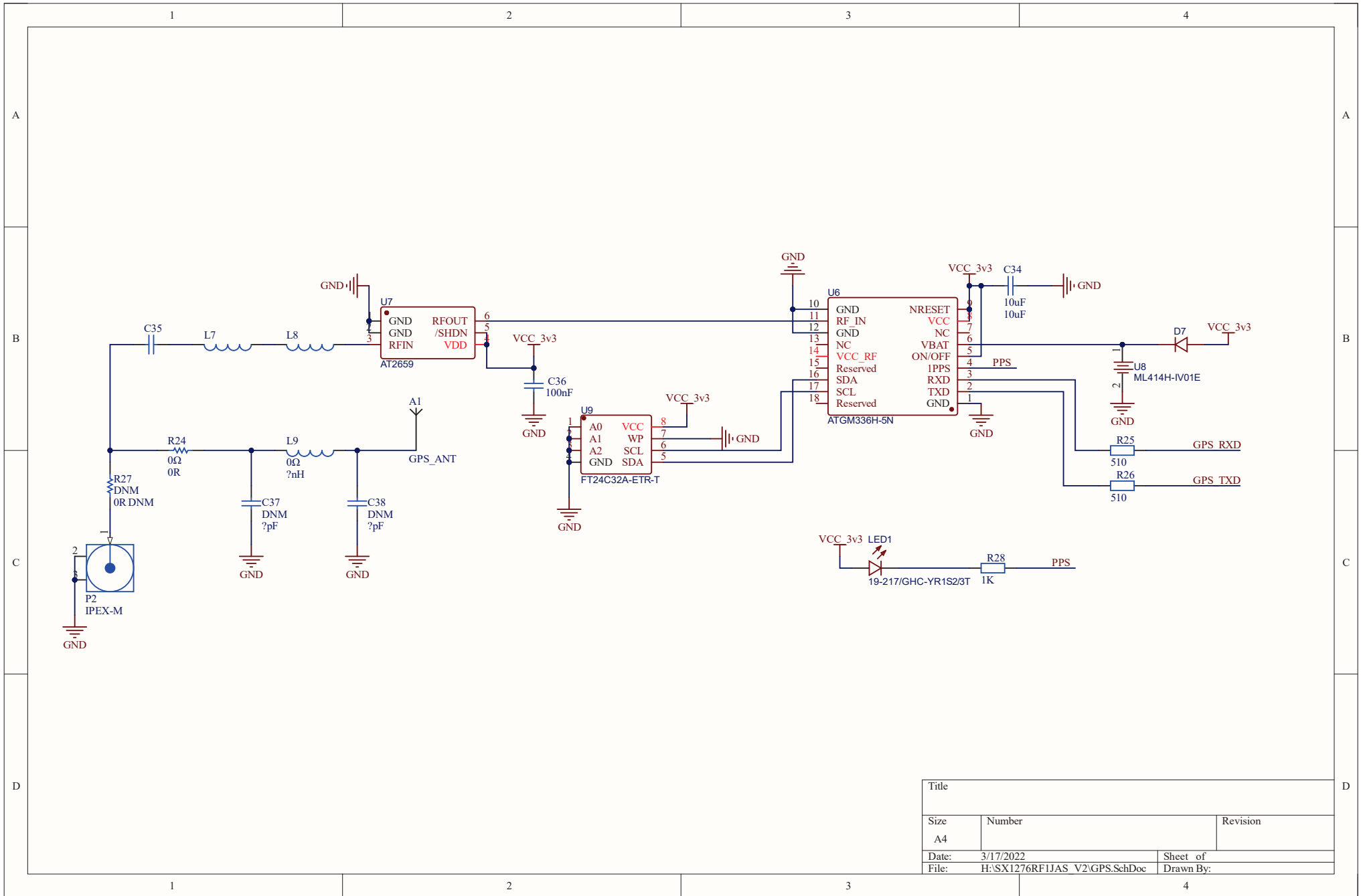
USB and Flash Download Tool



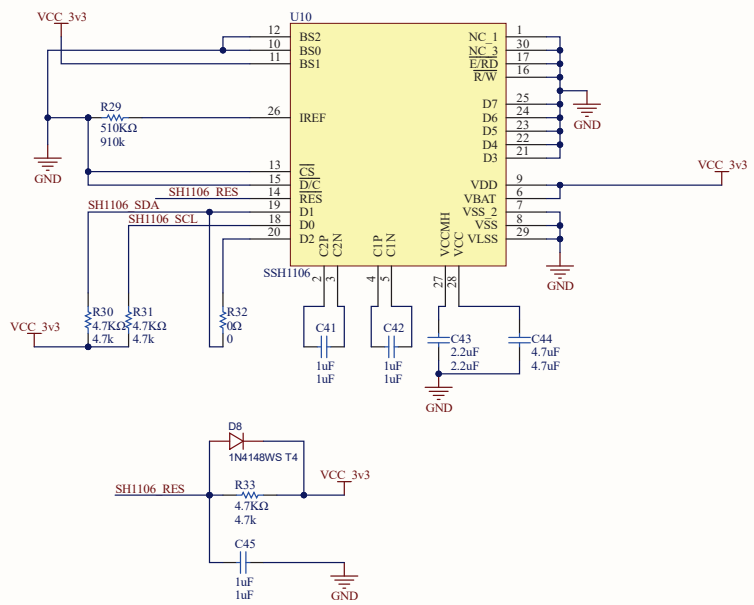
Auto program

DTR	RTS	→	EN	IO0
1	1	1	1	1
0	0	1	1	1
1	0	0	1	1
0	1	1	0	1

Title		
Size	Number	Revision
A3		
Date	3/17/2022	Sheet of
File:	H:\SX1276RF1JAS_V2\ESP32_SchDoc	Drawn By:

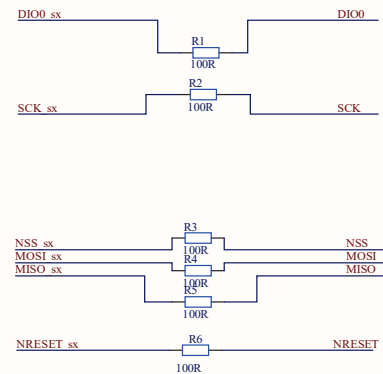
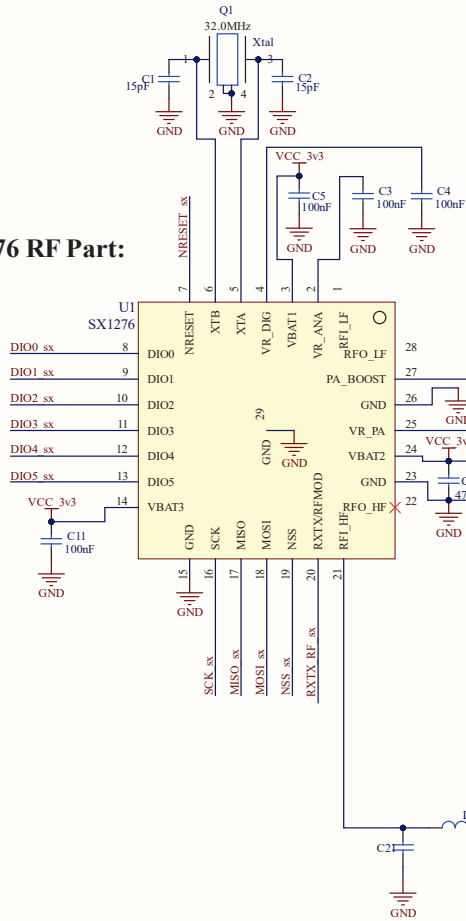


Title		
Size	Number	Revision
A4		
Date:	3/17/2022	Sheet of
File:	H:\SX1276RF1JAS V2\GPS.SchDoc	Drawn By:

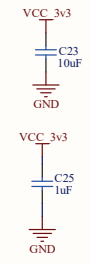
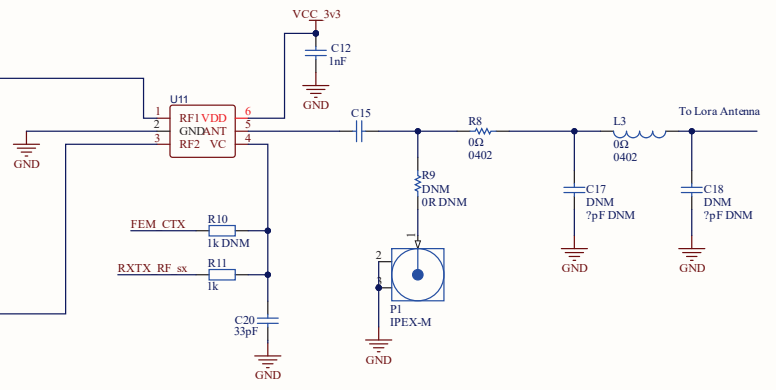


Title		
Size	Number	Revision
B		
Date:	3/17/2022	Sheet of
File:	H:\SXI276RF\IJAS_V2\OLED.SchDoc	Drawn By:

SX1276 RF Part:



RF Switch HF:



Title *		
Size: A3	Number.*	Revision.*
Date: 3/17/2022	Time: 6:20:13 PM	Sheet* of *
File: H:\SX1276RF\UAS_V2\SX1276_c268v01a.SchDoc		