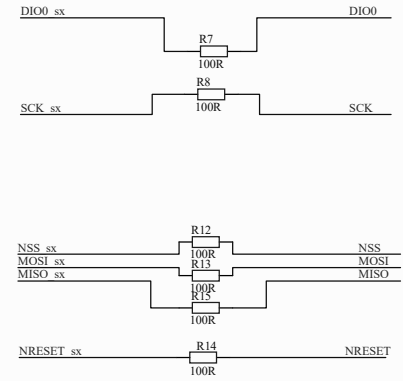
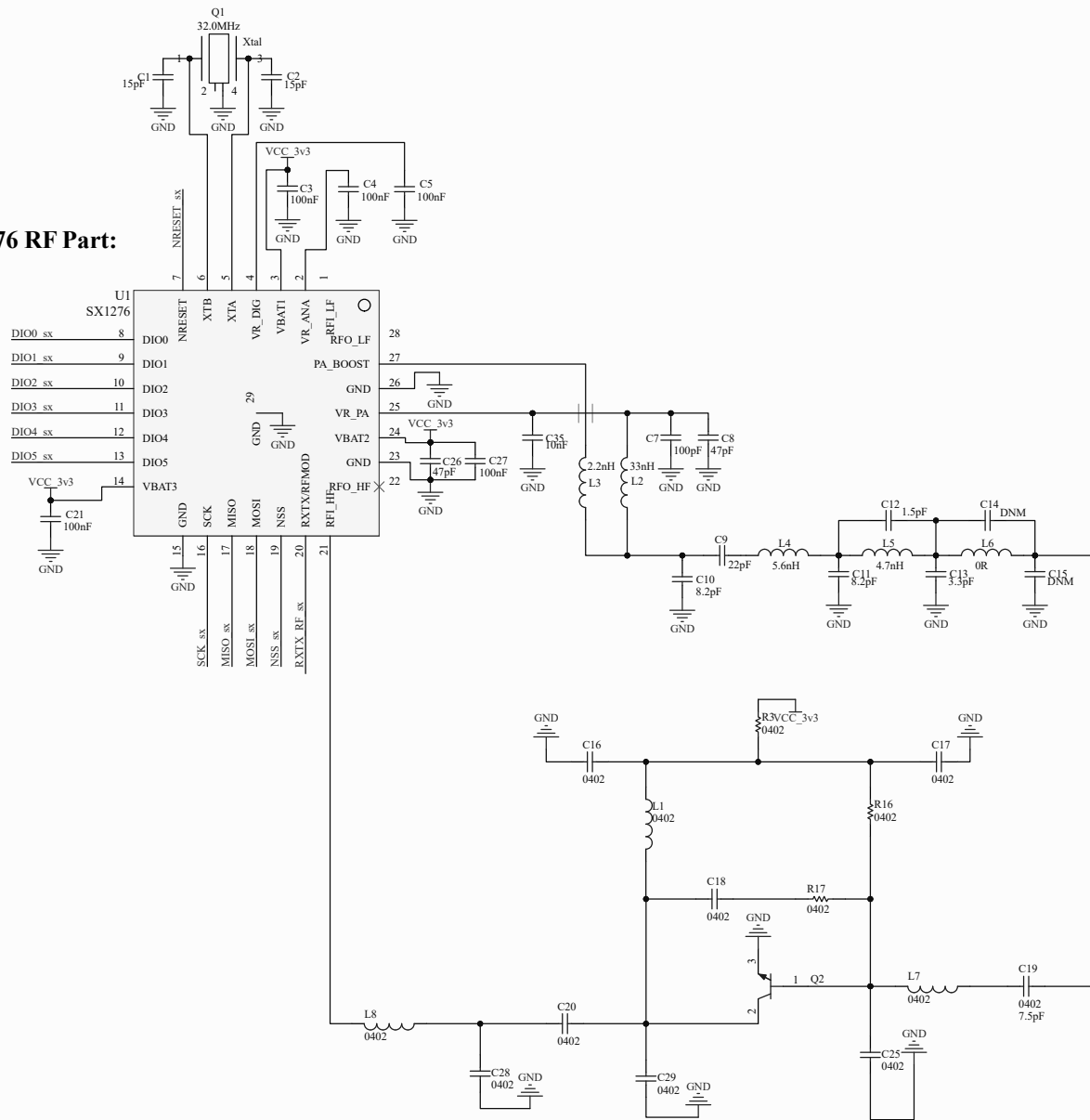
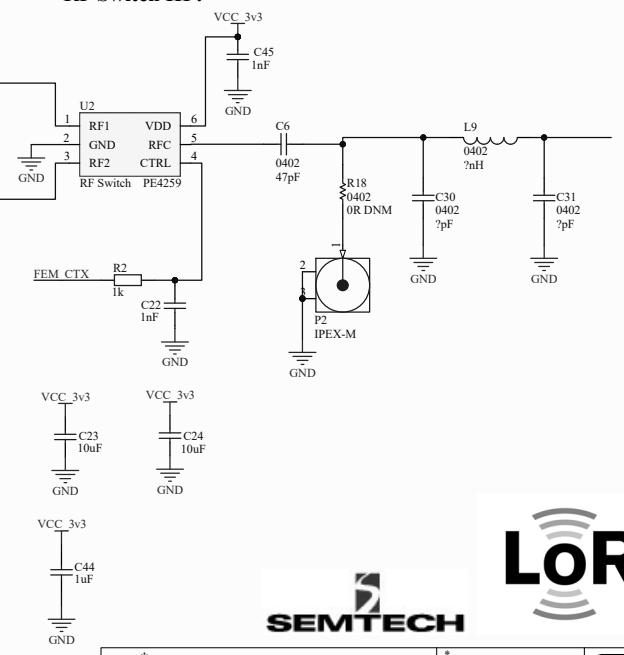


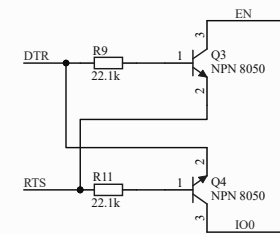
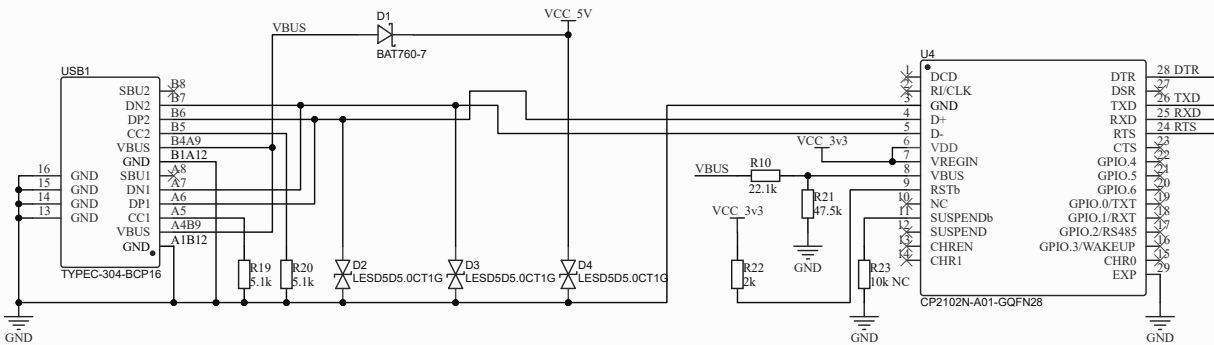
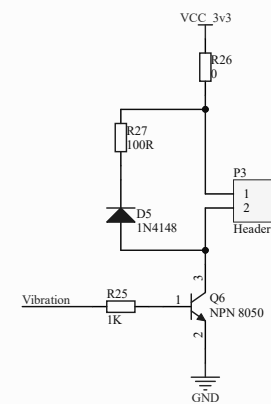
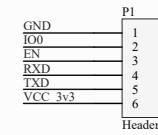
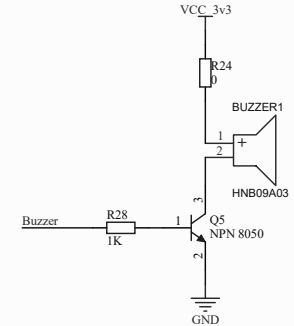
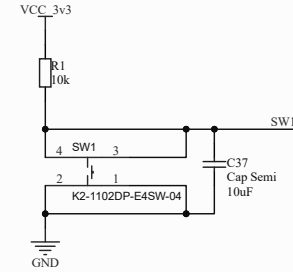
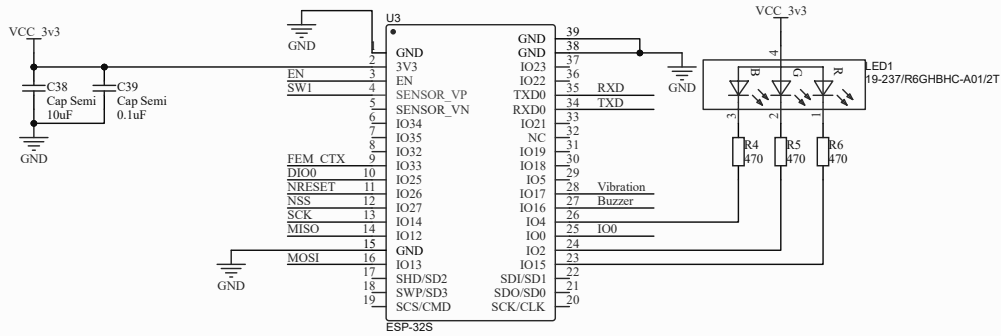
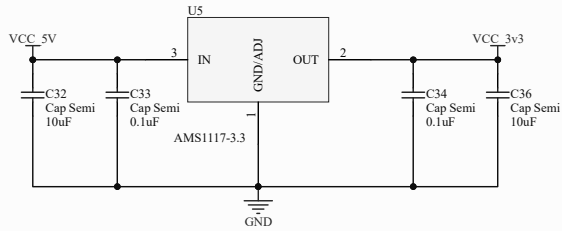
SX1276 RF Part:



RF Switch HF:



Title *			
Size: A3	Number:*	Revision:*	
Date: 7/11/2021	Time: 6:19:17 AM	Sheet * of *	
File: H:\VM\SX1276RF\IJAS V2\SX1276 c268v01a.SchDoc			



```

Auto program
DTR RTS-->EN IO0
1 1 1 1
0 0 1 1
1 0 0 1
0 1 1 0
  
```

Title		
Size	Number	Revision
A3		
Date:	7/11/2021	Sheet of
File:	E:\OneDrive\...\ESP32.SchDoc	Drawn By: