

A

A

B

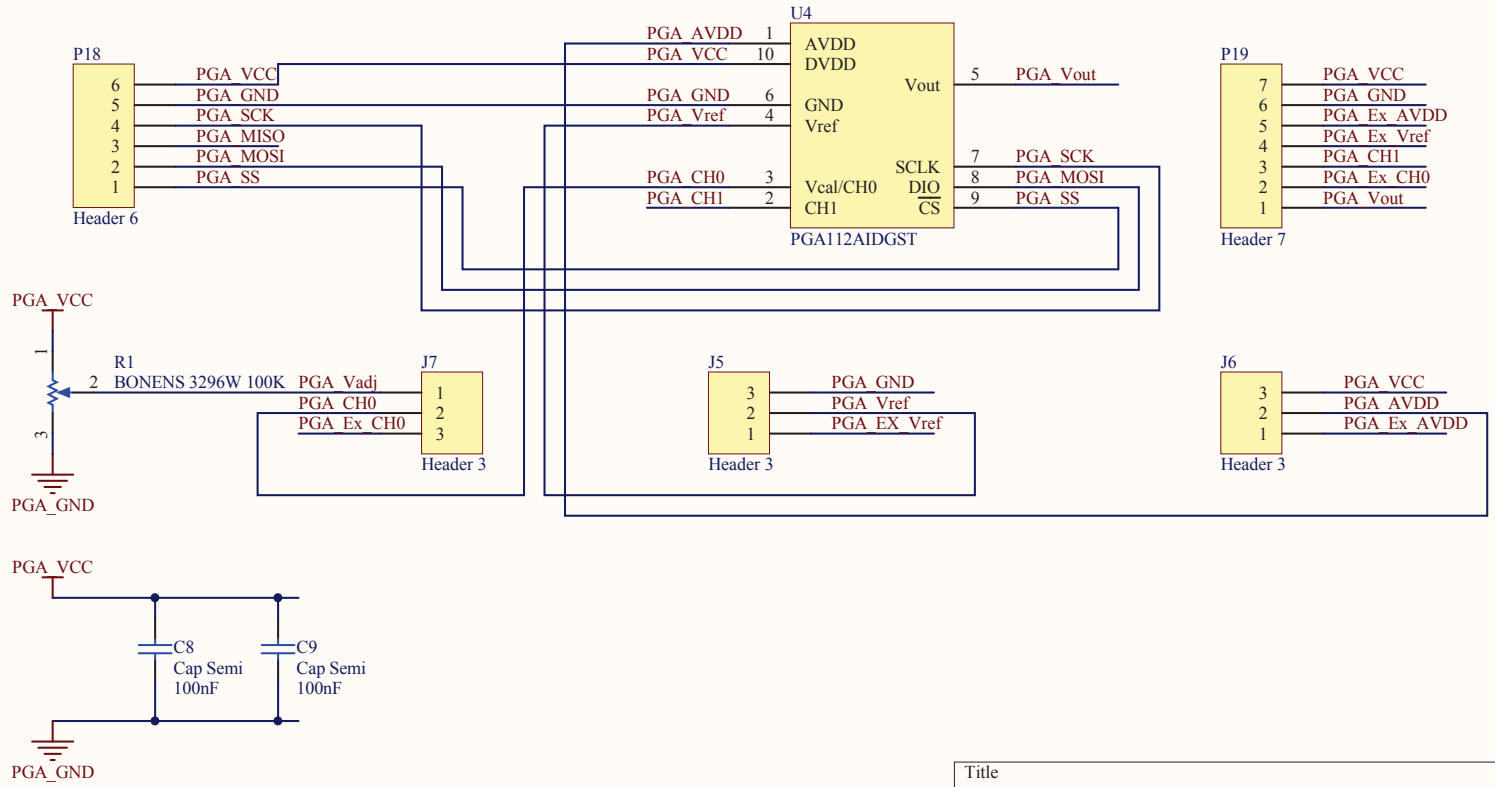
B

C

C

D

D



Title		
Size	Number	Revision
A		
Date:	8/2/2012	Sheet of
File:	E:\MyResources\...\Pmod PGA112.SchDoc	Drawn By: