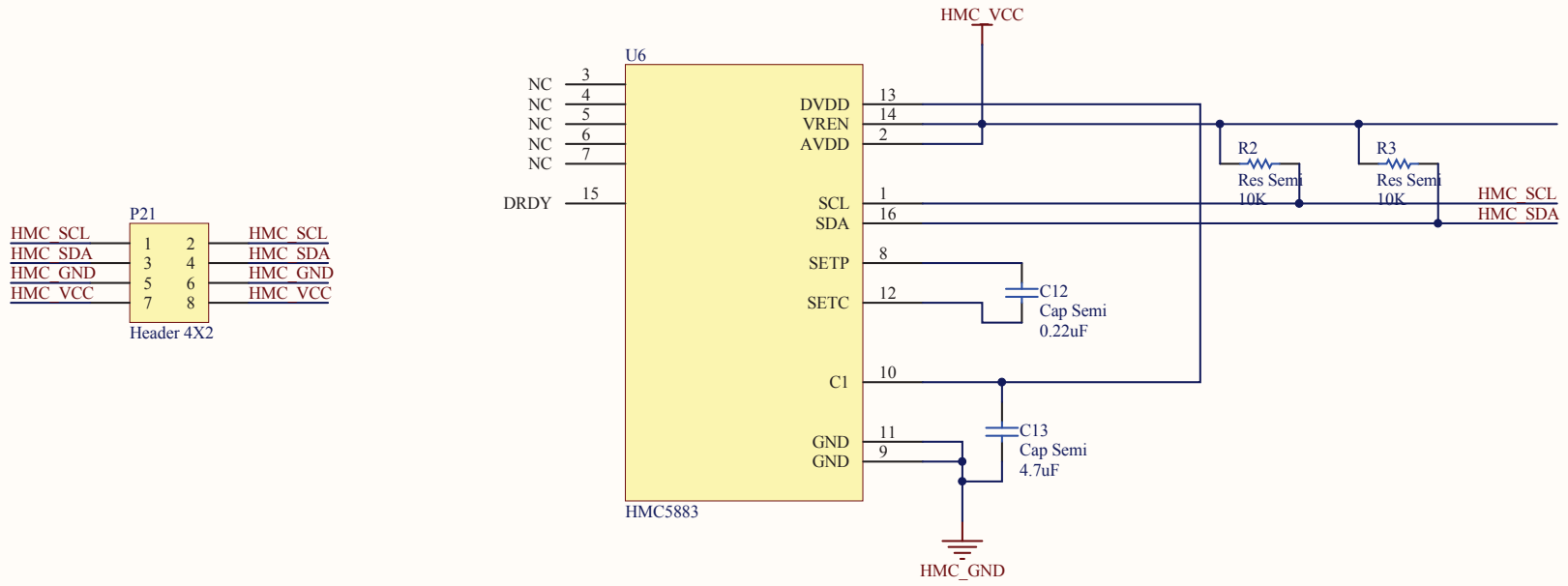


Title		
Size	Number	Revision
A		
Date:	8/2/2012	Sheet of
File:	E:\MyResources\...\Pmod_ADXL345.SchDoc	Drawn By:



Title		
Size	Number	Revision
A		
Date:	8/2/2012	Sheet of
File:	E:\MyResources\...\Pmod_HMC5883.SchDoc	
	Drawn By:	